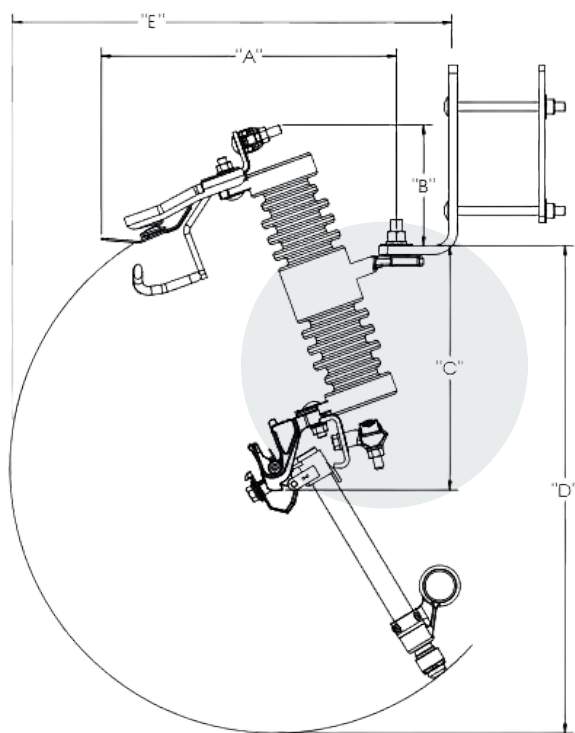


Key Specifications:

- Designed for a maximum voltage of 27kV
- Supports a rated continuous current of 100A
- Drop-down open fuse cutout for reliable operation
- Durable non-expendable cap
- Single vent expulsion fuse holder for enhanced safety
- Bird-proof porcelain body with single-core construction
- Interchangeable with S&C Type XS, AB Chance Type C, and ABB Type ICX models
- Suitable for off-load operation, with provision for on-load switching using a load buster hook
- Provides protection against overcurrent and faults in distribution lines and equipment, including distribution transformers, current transformers, and capacitor banks

TYPE PGP CUTOUT DIMENSION WITH NEMA BRACKET TYPE B

Part	Dimension (millimeters)
A	59
B	18
C	29
D	70
E	62



TQ-FSC-18 (24-27KV)

Rated voltage (KV)	Rated current (A)	Breaking current (A)	Impulse voltage (BIL)	Power-frequency withstand voltage	Leakage distance (MM)	Weight (KG)	Dimensions (CM)
24-27	100	10,000	150	65	540	12	49x35x14

Technical Performance

Parameter	Value	Parameter	Value
Applied Standard	ANSI C37.42	Frequency (Hz)	50
Catalog Number	2710832	Creepage Distance to Ground (mm, Min.)	320
Nominal System Voltage (kV-RMS)	22	Ambient Air Temperature	Up to 40 °C
Maximum Voltage Design (kV-RMS)	27	Altitude	Up to 1000 m
Dry Withstand Voltage (kV-RMS)	42	Vertical Insulator Angle (from center line)	15-20°
Wet Withstand Voltage (kV-RMS)	36	Approx. Weight with NEMA Bracket (kg)	9
BIL 1.2x50µs (kV-PEAK)	125	Fuse Holder Interchangeability*	YES
Continuous Current (A-RMS)	100	Fuse Holder Expulsion	YES
Interrupting Current (A-RMS, Asym./Sym.)	8000 / 5600	Non-Expendable Cap	YES